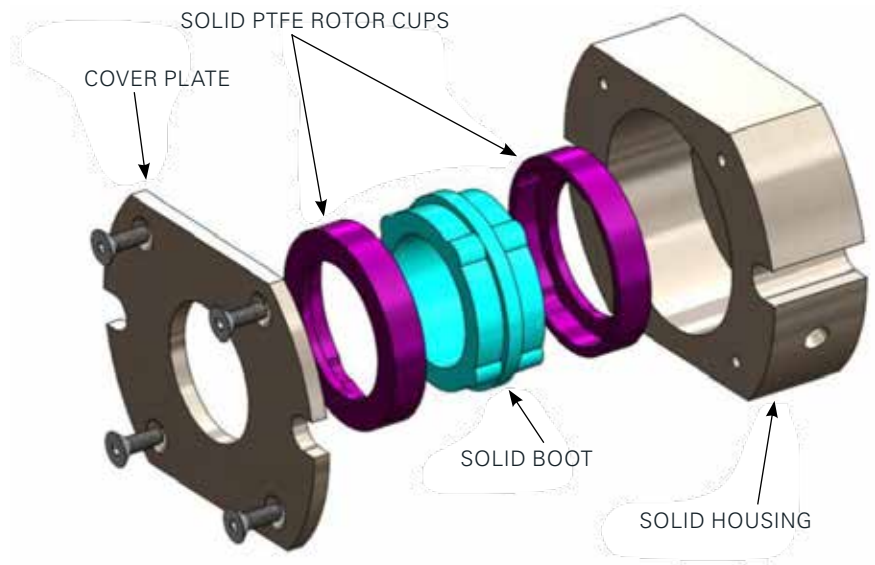


# ROTARY AIR LOCK SEAL

## Product Overview



### FEATURES & BENEFITS

- » Designed to replace rope packing on rotary air locks
- » Zero maintenance due to self-adjusting design
- » Custom seal housings available in Aluminum and SS
- » Seals can be rebuilt with inexpensive repair kits
- » Designed to handle 1/4" total radial shaft runout
- » Designed to be air purged at 7 PSI over vessel pressure
- » Designed for temperature ranges -50F to 400F



CS-006\_10.2021\_AUST

**GARLOCK**

Master Distributor for CinchSeal  
Australia and New Zealand

Tel: +61 2 9793 2511  
Fax: +61 2 9793 2544  
www.garlock.com

**Industrial Gasket Solutions Ltd.**

42 Hobill Avenue  
Wiri, Auckland 2104  
New Zealand

www.igs.co.nz  
Tel: +64 9 574 5651  
nzsales@igs.co.nz