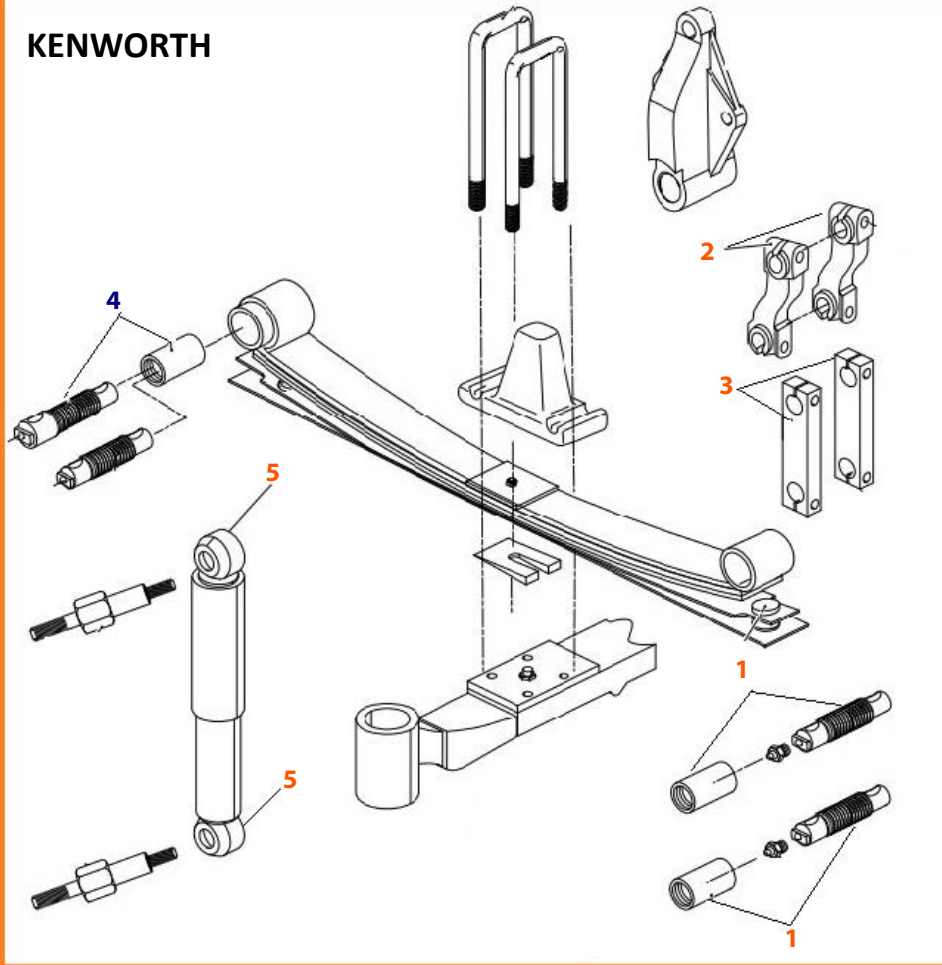
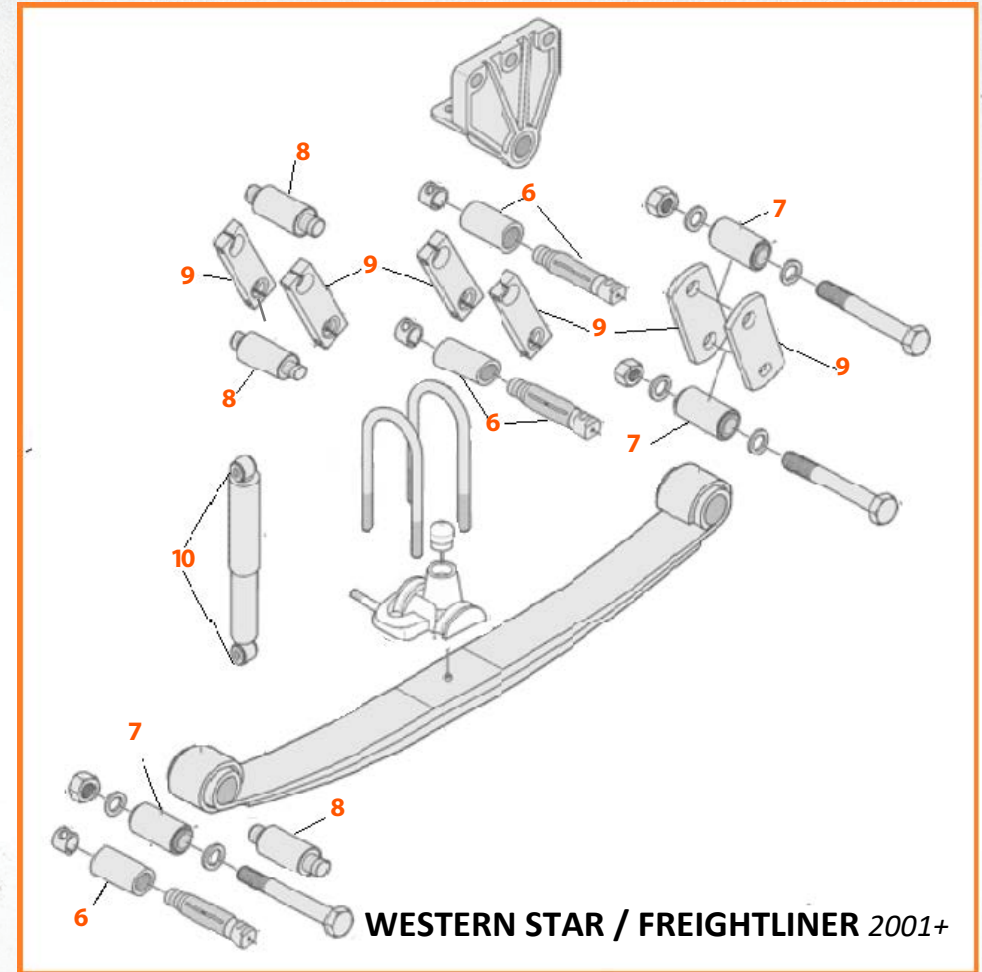


KENWORTH



1. **GAFF** single piece encapsulated pin & bush design replaces the old grease-able threaded pin & bush style. **40090** Install/Removal tool for OEM & GAFF Pins.
11767 is 138mm long from centre to centre of notches.
11758 is 146mm long from centre to centre of notches.
11753 is 160mm long from centre to centre of notches.
2. **18601** suits Offset Shackle style.
3. **18602** suits Straight Shackle style.
4. Due to Pinch Bolt design you will need to run threaded pin & bush style.
5. **30507** suit all Steer Axle Shocks Absorbers (4 per shock).



6. Threaded Pin & Bush design, need to upgrade to **11094** design.
7. OEM rubber bush & bolt style replace bush with **11066** Polyurethane Bush or upgrade to **11094** design. **11168** Install/Removal Tool for OEM & GAFF Bush.
8. OEM Encapsulated Rubber Bush & Pin design, replace with **11094** Polyurethane Bush & Pin design. **11168** Install/Removal Tool for OEM & GAFF Bush.
9. **18600** replaces all previous OEM Shackle designs.
10. **30507** replacement Steer Axle Shock Bushes, 2 piece design only (4 per shock).